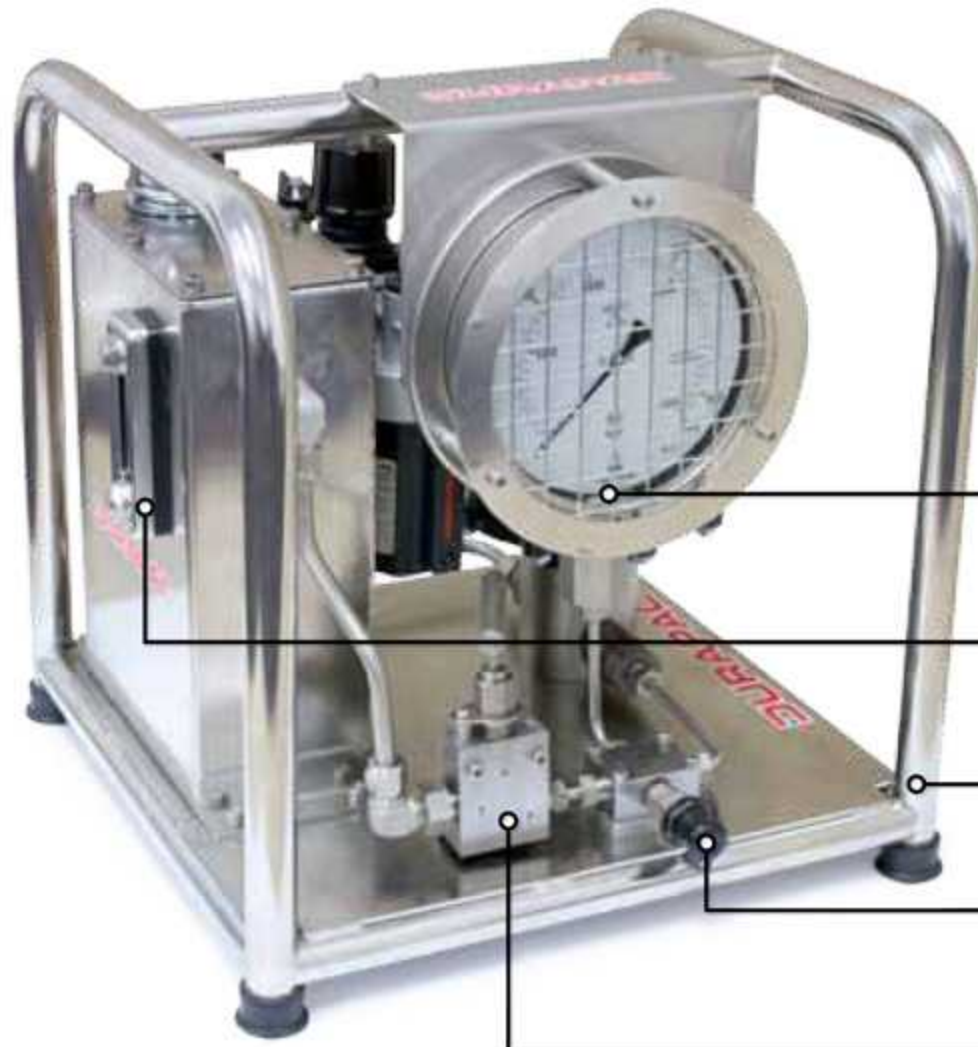


THE **PAMH & PEMH POWER UNITS** ARE PERFECTLY DESIGNED FOR BOLT TENSIONING APPLICATIONS UTILISING DURAPAC DBT SERIES BOLT TENSIONERS AT 1,500 BAR.

The PAMH1514 is a lightweight single acting pump suited to applications where air is the preferred power source. The PEMH0543 is an electric two speed pump with a 2.8 metre remote hand pendant.



**LIQUID FILLED PRESSURE GAUGE**

range is 0-1,600 bar / 0-23,000 psi

**SIGHT GLASS**

incorporating a temperature gauge

**STAINLESS STEEL BASE AND FRAME**

resists corrosion and allows for easy handling

**OIL OUTLET**

fitted with a 1/4" DBT116M quick release nipple

**PRESSURE RELEASE VALVE**



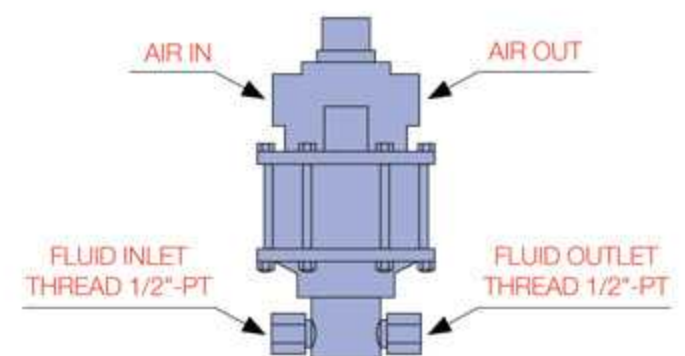
**FILTER, REGULATOR & LUBRICATOR WITH GAUGE**

are supplied on the air inlet

**STAINLESS STEEL RESERVOIR**

5.6 litres of usable oil

**RESERVOIR ON/OFF VALVE**



Model Number	Used with Cylinder	Pressure Rating (bar)	Compression Ratio	Oil Flow (cm <sup>3</sup> /stroke)	Air Pressure Range (bar)	Air Consumption (Lpm)	Oil Port Thread	Oil Capacity (L)	Dry Weight (kg)
PAMH1514	S/A	1,500	1:310	1.2	5-7	793	G 1/4"	5.6	25



# DURAPAC PAMH & PEMH | SERIES

www.dycom.co.id

BOLT TENSIONING POWER UNITS

**B**  
**BOLTING SOLUTIONS**

**ELECTRIC MOTOR**

0.5 kW/220 volt 50-60 Hz  
universal motor 6.0 amps

**LIQUID FILLED PRESSURE GAUGE**

range is 0-2,500 bar / 0-35,000 psi

**ADJUSTABLE TORQUE CONTROL**

for accurate torque settings

**PRESSURE RELEASE LEVER**

**OIL OUTLET**

fitted with a 1/4" DBT116M  
quick release nipple

**2.8M REMOTE PENDANT**

through a 24 volt transformer  
for safety. Incorporates  
motor ON/OFF button



**POWER REQUIREMENT**

**Electric 220 Volt 50-60 Hz (two speed pump)**

**AIR REQUIREMENT**

**Air 793 Lpm @ 7 bar (single speed pump)**

**MAXIMUM OPERATING PRESSURE**

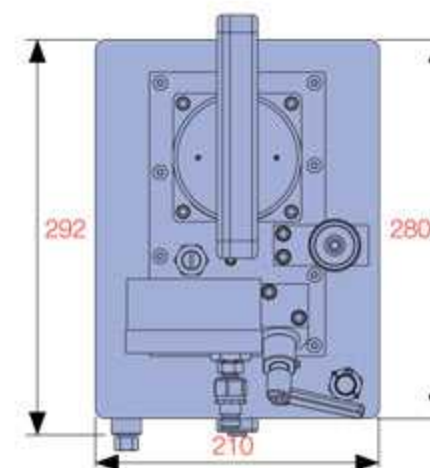
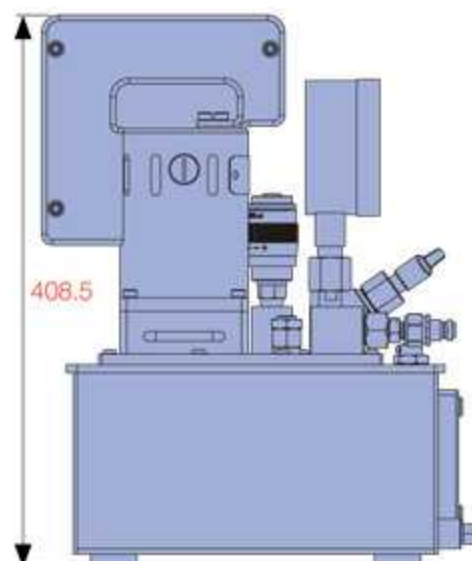
**1,500 bar**

**SIGHT GLASS**

incorporating a  
temperature gauge

**RESERVOIR**

capacity 4L



Model Number	kW	Voltage	Hz	Amps	Usable oil Capacity (L)	Maximum Pressure Rating (bar)	Flow Rate (Lpm)		Remote Pendant Function 2.8 mtr	Weight (kg)
							30 bar	1,500 bar		
PEMH0543	0.50	220	50/60	6	4	1,500	2	0.13	ON/OFF	24